

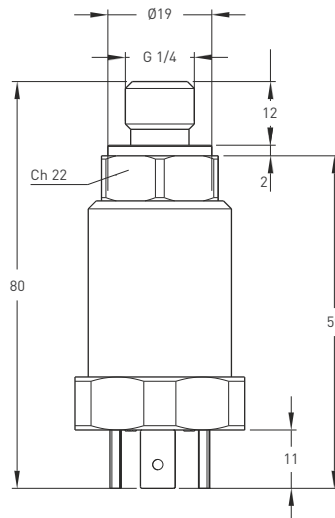
- 10, 16, 25, 30, 40, 50, 100, 150, 200, 250, 350, 400 bar
- Infinite resolution
- IP 67



Technical Specifications

Range	10, 16, 25, 30, 40, 50, 100, 150, 200, 250, 350, 400 bar
Output signal	4-20 mA(2-wire), 0-10 V(3-wire), 0,5 - 4,5 V // 0,1 - 1 0,1 V 1 - 10 V // 0,1 - 5,1 V (custom designs)
Resolution	Infinite
Accuracy - Linearity	typ : ±0,25%FS (BFSL method) [1] max : ±1%FS (BFSL method) [2]
Update time	<1 ms
Overpressure range	2x pressure range
Burst pressure	3x pressure range
Power supply	8-24 VDC or 12-28 VDC
Power consumption	max : 20 mA, <8 mA
Insulation resistance	>1500 Mohm @250 VDC
Case material	Stainless steel
Protection level	IP 67
Electrical connections	Reverse polarity
Operating temperature	-40°C ... +80°C

Mechanical Specifications



Ordering Procedure

Model	Case model	Mechanical thread	Range	Output	Connector / Cable
OPTC	11	G1/4	B250	I40	C1
OPTC (ceramic)	11	G1/4 G1/2	B10 : 10 bar B16 : 16 bar B25 : 25 bar B30 : 30 bar B40 : 40 bar B50 : 50 bar B100 : 100 bar B150 : 150 bar B200 : 200 bar B250 : 250 bar B350 : 350 bar B400 : 400 bar	V10 : 0-10 V I40 : 4-20mA 4V5 : 0,5- 4,5 V	C1 : 4 pin connector 1M5 : 1,5 meter cable