

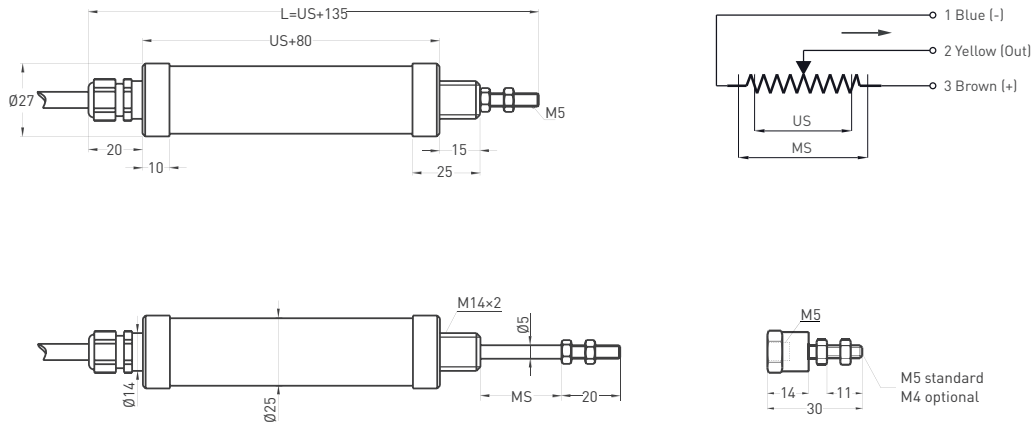
- Measuring range 25 - 400 mm
- Internal electronic circuit
- 4-20mA or 0-10V output



Technical Specifications

Measurement stroke	25 - 400 mm
Linearity	±%0.05 (>200 mm), ±%0.1 (130-200 mm) ±%0.2 (75-129 mm), ±%0.5 (<75 mm)
Repeatability	< 0.01 mm
Resolution	Infinite
Output	4-20mA or 0-10V
Permissible applied voltage	15 - 30 VDC
Electrical connections	1 m cable output (standard)
Displacement speed	< 5 m/s
Mechanical life	100 million movement
Case dimensions	Ø25 mm
Case material	Anodized aluminium
Rod material	Stainless steel
Rod diameter	Ø5 mm
Protection level	IP 65 - EN 60529
Operating temperature	-20°C ... +80°C
Storage temperature	-30°C ... +90°C

Mechanical Specifications



ELSC (mm)	25	50	75	100	125	150	175	200	250	300	350	400
US [Usefull stroke]	25	50	75	100	125	150	175	200	250	300	350	400
MS [Mechanical stroke]	28	53	78	103	128	153	178	203	253	303	353	403
L [Total Length]	155	185	210	235	260	285	310	335	385	435	485	535

Ordering Procedure

Model	Measurement stroke (mm)	Linearity (%)	Output	Connector / Cable
ELSC	175	D	I40	C2
ELSC	25 - 400 mm	A: ±%0.5 (<75mm), B: ±%0.2 (75 - 129mm), C: ±%0.1 (130 - 200mm), D: ±%0.05 (>200mm)	V10 : 0-10V I40 : 4-20mA	1M : 1 meter cable (standard) 1M5 : 1 meter cable 2M : 2 meter cable