

# Draw Wire Potentiometer Plastic Case

RESISTIVE  $\Omega$  ANALOG 0-10 V  
4-20 mA

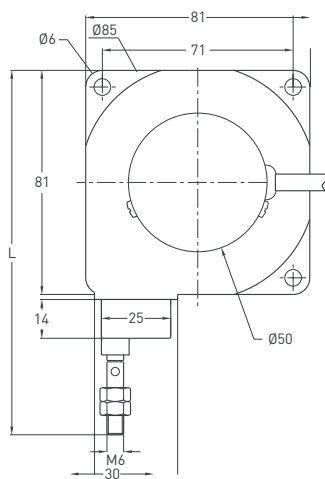
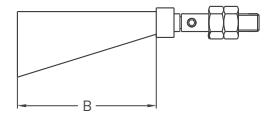
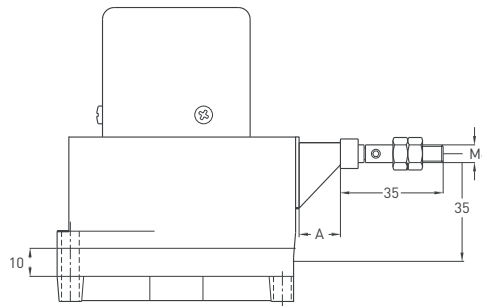
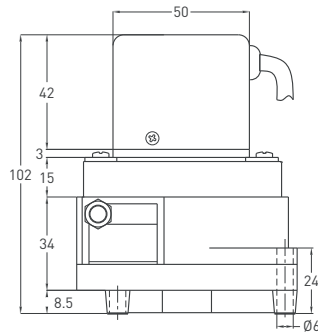


- Measuring length 1800 mm
- 5 kOhm / 10 kOhm resistive type or  
0-5V, 0-10V, 0-20 mA, 4-20 mA internal electronic circuit

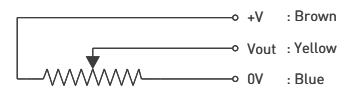
### Technical Specifications

Measurement stroke	1800 mm
Type of measurement	Resistive (voltage divider)
Linearity	%0.5, %0.1 or %0.05
Output type	Resistive output : 5 kOhm / 10 kOhm Analog output : 0 - 5 V, 0 - 10 V , 0 - 20 mA, 4 - 20 mA
Power supply	24 VDC max. 15 - 30 V (voltage / current output)
Electrical connections	2.5 m cable (standard)
Displacement speed	2 m/s
Case material	Aluminium / Steel / ABS Plastic
Weight	< 550 gr.
Protection level	IP 54
Operating temperature	-20°C ... +80°C
Storage temperature	-30°C ... +90°C

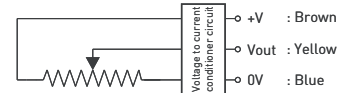
### Mechanical Specifications



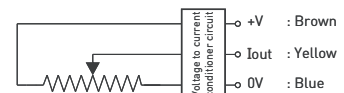
		Measurement stroke	L
A	14 mm	1800 mm	132



POTENTIOMETRIC OUTPUT



0-10V VOLTAGE OUTPUT



0-20mA / 4-20mA CURRENT OUTPUT

### Ordering Procedure

Model	Case type	Measurement stroke	Linearity	Output	Connector/cable	Cable output
DWP	1	1800	C	5K	2M5	R
DWP	1	1800 mm	A: 0,5% C: 0,1% D: 0,05%	5K : 5K $\Omega$ 10K : 10K $\Omega$ V5 : 0-5V V10 : 0-10V I20 : 0-20mA I4 : 4-20mA	2M5: 2.5 meter cable 5M : 5 meter cable 8M : 8 meter cable 10M : 10 meter cable	R: Radial A: Axial (optional)

Please note: The specifications and information in this datasheet may not cover all special demands arising from specific applications. Therefore, they do not constitute a comprehensive description of the product properties. OPKON accepts no responsibility for damages resulting from the improper application of our products. The user is responsible for ensuring that the products used are suitable for their own application.